


LAMP CABINETS AND INDICATORS





.....**R**onan's extensive line of Lamp Cabinets and Indicators is designed for indicating visual status from remote annunciator logic, Programmable Logic Controllers (PLCs) or from ON/OFF relay or solid state drivers.


We offer a large variety of window sizes and customized array assemblies so you can select the optimal window size based on your available panel space. And our unique window bezels ensure you of the proper window location when re-lamping is required.

Our displays are equipped with either multiple incandescent bulbs or multiple Light Emitting Diode (LED) assemblies, which provide a virtually infinite display life.

Individual window display termination is made directly to compression-type terminals or via lug connectors to screw-type terminals. In applications requiring premanufactured cable connection, we furnish multipin connectors to meet customer specifications.

Our lamp cabinets combine excellent mechanical design with superb structural integrity. The aluminum extrusion construction assures you of the best available heat dissipation during continuous operating conditions as well as a pleasing outward appearance.

Ronan's Lamp Cabinet/Indicator Series. Maximum flexibility along with virtually maintenance-free operation, adds up to the quality and value you're looking for.



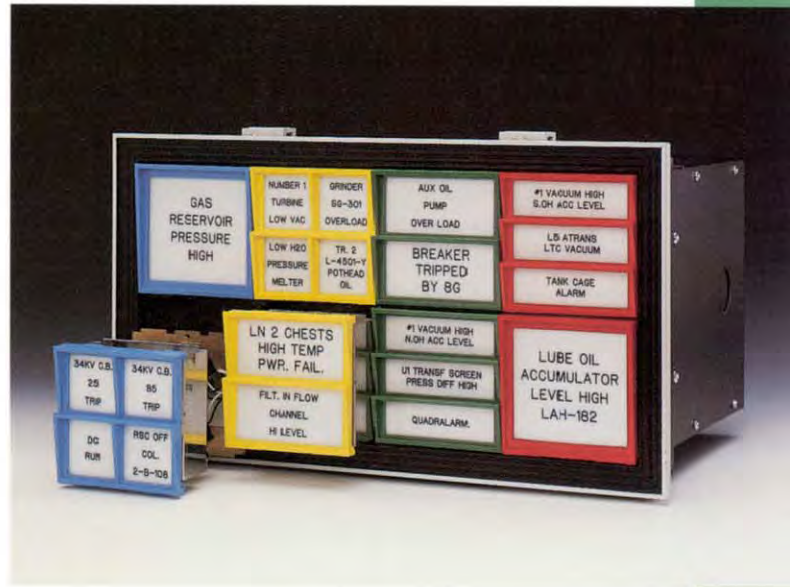
SERIES LC

The Series LC Lamp Cabinets provide maximum flexibility in terms of future expansion, intermix of window sizes and lamp test capabilities. The units feature plug-in modules with four window sizes, diode-gated lamp test for dc voltages, and relay type for ac voltages. Colored bezels and nameplates or sandwich lenses facilitate identification of plant location or functions and level of priorities of alarm.

Integral push-button modules can be installed for lamp test and operating controls for remote annunciator logic.

Two isolated screw terminals are supplied for each window for direct external connection or factory wiring to cabinet mounted multipin connectors. This allows interface via multi-conductor cables to the driver logic.

Each window is illuminated by two lamps for increased reliability and uniform light distribution. The LCP-4 single lamp per window module is available where economy and reduced power consumption are of primary concern.



SPECIFICATIONS

Standard Voltages: 24 Vdc, 48 Vdc, 125 Vdc, 24 Vac, 48 Vac, 115 Vac.

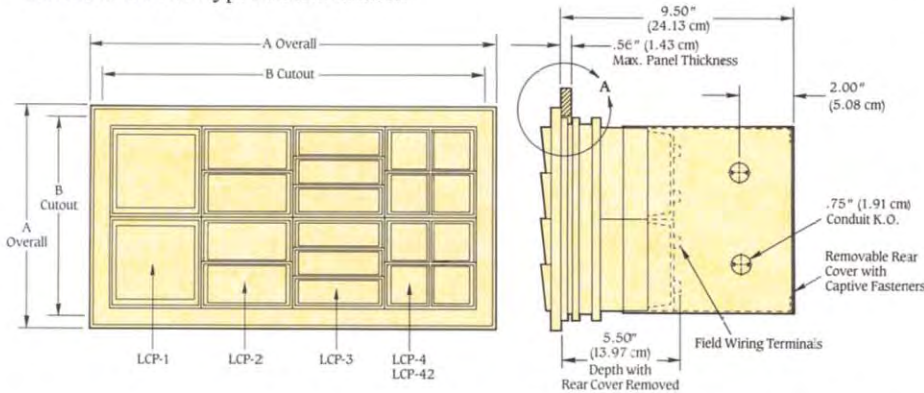
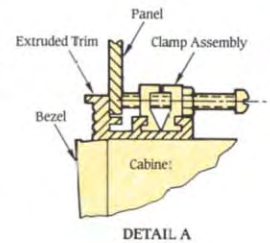
Cabinet Size: Any number of cabinet modules high and wide. (May exceed the numbers shown in the table below.)

Lamp Wattage: Two each 2-Watt lamps per window. 115 Vac and 125 Vdc modules have 3-Watt lamps. (LCP-4 has one 2-Watt lamp per window.)

Expandability: Specify the cabinet for the maximum number of windows per cabinet modules desired in the future, e.g., an LC-4000 accepts LCP-42, LCP-4, LCP-3, LCP-2 and LCP-1.

Intermixability: Any plug-in module up to the maximum window number per cabinet module specified.

Lenses: Sandwich type lenses available.



To Order:

2.4LC-4000

- Wired for Up to Eight Modules of LCP-4 (32 Windows)
- Cabinet Modules Wide
- Cabinet Modules High

LCP-()-() Lamp Module

- 24, 48, 115, 125 Vdc/Vac
- 1, 2, 3, 4 or 42 Windows/Cabinet Module
- LCP-3 = Standard
- LCP-3T = Diode Lamp Test (Vdc)
- LCPT-3-() = Relay Lamp Test (Vac)
- LC1PB-() = Push-button Module
- LC2PB-() = Push-button Module
- LC3PB-() = Push-button Module
- LC4PB-() = Push-button Module
- GP = General Purpose
- HS = Hermetically Sealed

No. of Lamp Cabinet Modules High or Wide	Dimensions A—Overall inches (cm)	Dimensions B—Cutout inches (cm)	LC-1000 Window Size 3.5 in. H×3.5 in. W (8.89 cm×8.89 cm)		LC-2000 Window Size 1.75 in. H×3.5 in. W (4.45 cm×8.89 cm)		LC-3000 Window Size 1.16 in. H×3.5 in. W (2.95 cm×8.89 cm)		LC-4000 Window Size 1.75 in. H×1.75 in. W (4.45 cm×4.45 cm)	
			No. of Windows High or Wide	No. of Windows High	No. of Windows Wide	No. of Windows High	No. of Windows Wide	No. of Windows High or Wide		
1	5.00 (12.70)	4.38 (11.13)	1	2	1	3	1	2		
2	8.50 (21.59)	7.88 (20.02)	2	4	2	6	2	4		
3	12.00 (30.48)	11.38 (28.91)	3	6	3	9	3	6		
4	15.50 (39.37)	14.88 (37.80)	4	8	4	12	4	8		
5	19.00 (48.26)	18.38 (46.69)	5	10	5	15	5	10		
6	22.50 (57.15)	21.88 (55.58)	6	12	6	18	6	12		
7	26.00 (66.04)	25.38 (64.47)	7	14	7	21	7	14		
8	29.50 (74.93)	28.88 (73.36)	8	16	8	24	8	16		
9	33.00 (83.82)	32.50 (82.55)	9	18	9	27	9	18		
10	36.50 (92.71)	36.00 (91.44)	10	20	10	30	10	20		
11	40.00 (101.60)	39.50 (100.33)	11	22	11	33	11	22		
12	43.50 (110.49)	43.00 (109.22)	12	24	12	36	12	24		

SERIES LB



The Series LB Lamp Cabinet is an excellent choice for fixed window applications where external lamp test is available.

Isolated screw terminals are supplied for each window. This allows direct external connection or factory wiring to cabinet mounted multipin connectors for interface via multiconductor cables to the remote driver logic.

Each window offers two lamps for increased reliability and uniform light distribution.

The cabinet is factory assembled from the basic cabinet modules to fit your panel space in as many modules high and wide as desired. The all aluminum construction provides excellent heat dissipation to prevent any nameplate or bezel distortion from the lamp's heat.

SPECIFICATIONS

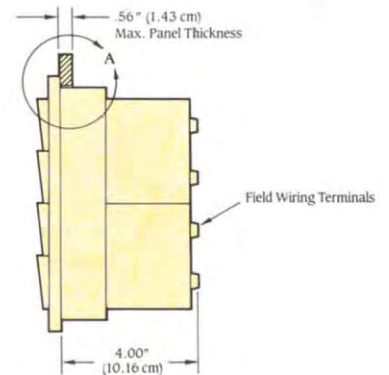
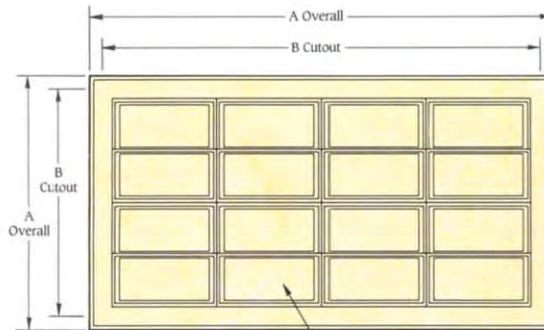
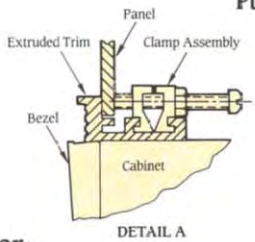
Standard Voltages: 24 Vdc, 48 Vdc, 125 Vdc, 24 Vac, 48 Vac, 115 Vac.

Cabinet Size: Any number of windows high and wide. (May exceed the numbers shown in the table below.)

Lamp Wattage: Two each 2-Watt lamps per window, except LB-4100 which has one 2-Watt lamp. 115 Vac and 125 Vdc models have 3-Watt lamps.

Lenses: Sandwich type lenses available.

Push-button Modules: Integral push-button modules offered as an option.



To Order:

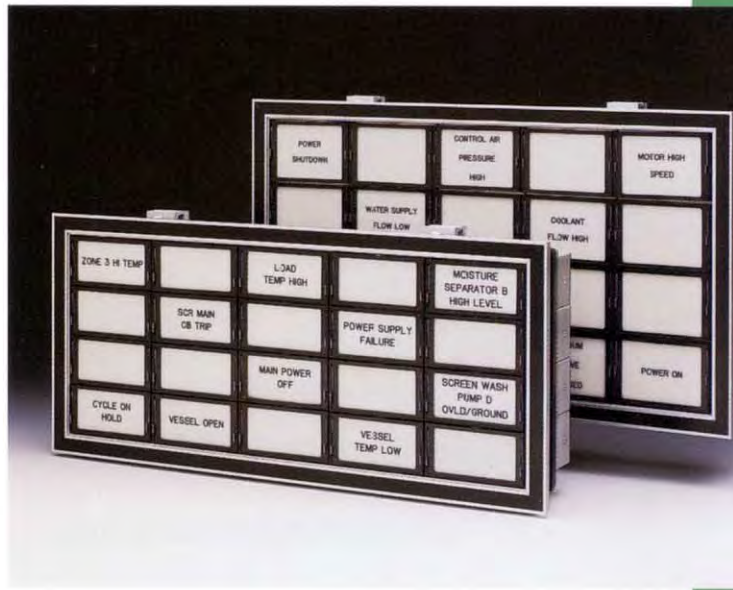
- 4.4LB-2000-()
- 24 = 24 Vdc/Vac
 - 48 = 48 Vdc/Vac
 - 115 = 115 Vac
 - 125 = 125 Vdc
 - Windows Wide
 - Windows High

Specify number and location of push buttons required.

No. of Lamp Cabinet Modules High or Wide	Dimensions A—Overall inches (cm)	Dimensions B—Cutout inches (cm)	LB-1000 Window Size 3.5 in. H×3.5 in. W (8.89 cm×8.89 cm)		LB-2000 Window Size 1.75 in. H×3.5 in. W (4.45 cm×8.89 cm)		LB-3000 Window Size 1.16 in. H×3.5 in. W (2.95 cm×8.89 cm)		LB-4000 Window Size 1.75 in. H×1.75 in. W (4.45 cm×4.45 cm)	
			No. of Windows High or Wide	No. of Windows High	No. of Windows Wide	No. of Windows High	No. of Windows Wide	No. of Windows High or Wide		
1	5.00 (12.70)	4.38 (11.13)	1	2	1	3	1	2		
2	8.50 (21.59)	7.88 (20.02)	2	4	2	6	2	4		
3	12.00 (30.48)	11.38 (28.91)	3	6	3	9	3	6		
4	15.50 (39.37)	14.88 (37.80)	4	8	4	12	4	8		
5	19.00 (48.26)	18.38 (46.69)	5	10	5	15	5	10		
6	22.50 (57.15)	21.88 (55.58)	6	12	6	18	6	12		
7	26.00 (66.04)	25.38 (64.47)	7	14	7	21	7	14		
8	29.50 (74.93)	28.88 (73.36)	8	16	8	24	8	16		
9	33.00 (83.82)	32.50 (82.55)	9	18	9	27	9	18		
10	36.50 (92.71)	36.00 (91.44)	10	20	10	30	10	20		
11	40.00 (101.60)	39.50 (100.33)	11	22	11	33	11	22		
12	43.50 (110.49)	43.00 (109.22)	12	24	12	36	12	24		

SERIES LB - 2100 / LB - 2200

The Series LB-2100/LB-2200 Lamp Cabinets are factory assembled from single-size modules in any number of windows high or wide to accommodate customer requirements for window size and panel cutout. The lamp assembly features colored bezels and nameplates. Rear panel screw terminals allow external connection or factory wiring to multipin connectors to interface via multiconductor cables to the lamp driver logic. The two parallel connected lamps are available for 24 Vdc or Vac, 48 Vdc or Vac, 115 Vac or 125 Vdc. The LB-2100 features a nominal window size of 1.5 inches by 3 inches, and the LB-2200 is 2 inches by 3 inches.



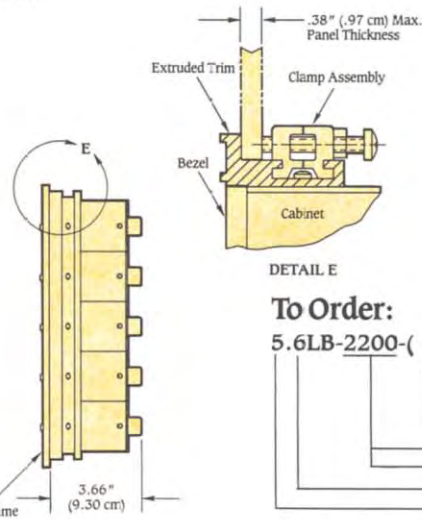
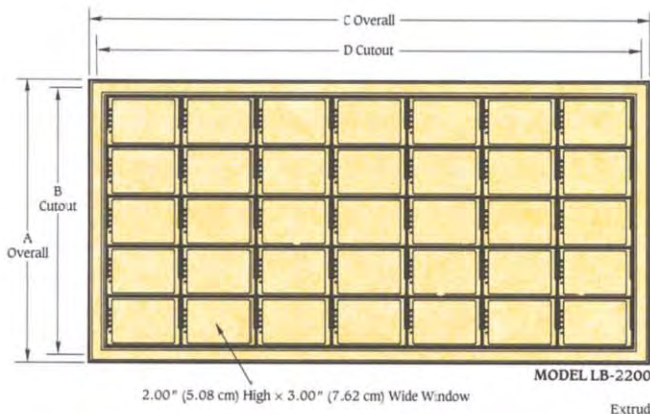
SPECIFICATIONS

Standard Voltages: 24 Vdc, 48 Vdc, 125 Vdc, 24 Vac, 48 Vac, 115 Vac.

Cabinet Size: Any number of windows high and wide. (May exceed the numbers shown in the table below.)

Lenses: Sandwich type lenses available.

Push-button Modules: Integral push-button modules offered as an option.



To Order:

5.6LB-2200-()

- 24-24 Vdc/Vac
- 48-48 Vdc/Vac
- 115-115 Vac
- 125-125 Vdc
- 2100 1.5" x 3" Window
- 2200 2" x 3" Window
- Windows Wide
- Windows High

Specify number and location of push buttons required.

LB-2100 Dimensions

No. of Windows	Windows High		Windows Wide	
	A—Overall inches (cm)	B—Cutout inches (cm)	C—Overall inches (cm)	D—Cutout inches (cm)
2	4.28 (10.87)	3.75 (9.53)	7.28 (18.49)	6.75 (17.15)
3	5.78 (14.68)	5.25 (13.34)	10.28 (26.11)	9.75 (24.77)
4	7.28 (18.49)	6.75 (17.15)	13.28 (33.73)	12.75 (22.39)
5	8.78 (22.30)	8.25 (20.96)	16.28 (41.35)	15.75 (40.01)
6	10.28 (26.11)	9.75 (24.77)	19.28 (48.97)	18.75 (47.63)
7	11.78 (29.92)	11.25 (28.58)	22.28 (56.59)	21.75 (55.25)
8	13.28 (33.73)	12.75 (32.39)	25.28 (64.21)	24.75 (62.87)
9	14.78 (37.54)	14.25 (36.20)	28.28 (71.83)	27.75 (70.49)
10	16.28 (41.35)	15.75 (40.01)	31.28 (79.45)	30.75 (78.11)
11	17.78 (45.16)	17.25 (43.82)	34.28 (87.07)	33.75 (85.73)
12	19.28 (48.97)	18.75 (47.63)	37.28 (94.69)	36.75 (93.35)

LB-2200 Dimensions

No. of Windows	Windows High		Windows Wide	
	A—Overall inches (cm)	B—Cutout inches (cm)	C—Overall inches (cm)	D—Cutout inches (cm)
2	5.28 (13.41)	4.75 (12.07)	7.28 (18.49)	6.75 (17.15)
3	7.28 (18.49)	6.75 (17.15)	10.28 (26.11)	9.75 (24.77)
4	9.28 (23.57)	8.75 (22.23)	13.28 (33.73)	12.75 (32.39)
5	11.28 (28.65)	10.75 (27.31)	16.28 (41.35)	15.75 (40.01)
6	13.28 (33.73)	12.75 (32.39)	19.28 (48.97)	18.75 (47.63)
7	15.28 (38.81)	14.75 (37.47)	22.28 (56.59)	21.75 (55.25)
8	17.28 (43.89)	16.75 (42.55)	25.28 (64.21)	24.75 (62.87)
9	19.28 (48.97)	18.75 (47.63)	28.28 (71.83)	27.75 (70.49)
10	21.28 (54.05)	20.75 (52.71)	31.28 (79.45)	30.75 (78.11)
11	23.28 (59.13)	22.75 (57.79)	34.28 (87.07)	33.75 (85.73)
12	25.28 (64.21)	24.75 (62.87)	37.28 (94.69)	36.75 (93.35)

SERIES LB - 2448



Now Available in LED Version.

The Series LB-2448 Lamp Cabinets are factory assembled from single metric-sized modules 24 mm high by 48 mm wide. The lamp cabinet may be any number of windows high or wide. Windows are illuminated by two incandescent bulbs or a number of high intensity LEDs. The window bezels and nameplates are available in a variety of colors. The assembly provides rear mounted compression-type terminals for external wiring termination or factory wiring to multipin connectors allowing interface via multiconductor cables to the lamp driver logic. Standard voltages are 24 Vdc for LED type displays and 24 Vdc/Vac, 48 Vdc/Vac, 125 Vdc or 115 Vac for incandescent lamps.

SPECIFICATIONS

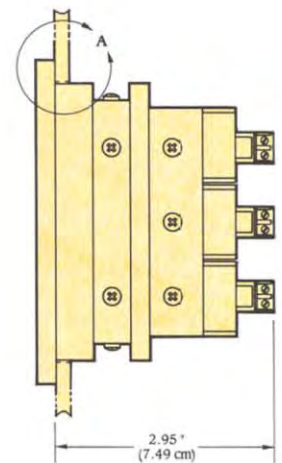
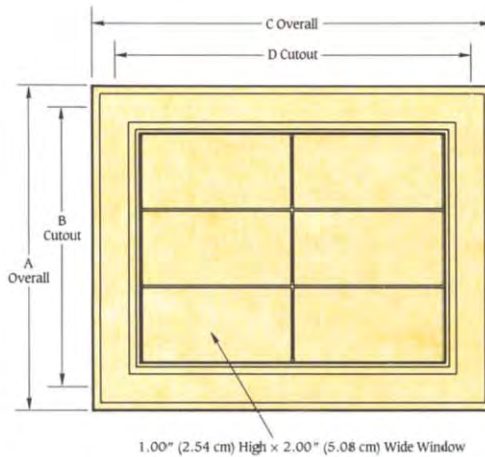
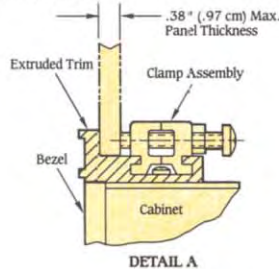
Standard Voltages: Lamps—24 Vdc/Vac, 48 Vdc/Vac, 125 Vdc, 115 Vac; LEDs—24 Vdc.

Cabinet Size: Any number of windows high and wide. (May exceed the numbers shown in the table below.)

Lamp Wattage: Incandescent—Two 2-Watt lamps per window; LEDs—1 Watt power dissipation; 36 mA @24 Vdc per window.

Lenses: Sandwich type lenses available.

Push-button Modules: Integral push-button modules offered as an option.



To Order:

()-()-LB-2448-()-()

- 24 = 24 Vdc/Vac
- 48 = 48 Vdc/Vac
- 115 = 115 Vac
- 125 = 125 Vdc
- LED = LEDs-24 Vdc
- Rear Mounted Connectors
- Windows Wide
- Windows High

Specify number and location of push buttons required.

No. of Windows	Windows High		Windows Wide		No. of Windows	Windows Wide	
	A—Overall inches (cm)	B—Cutout inches (cm)	C—Overall inches (cm)	D—Cutout inches (cm)		C—Overall inches (cm)	D—Cutout inches (cm)
1	2.28 (5.79)	1.71 (4.34)	3.31 (8.41)	2.74 (6.96)	13	27.67 (70.28)	27.10 (68.83)
2	3.31 (8.41)	2.74 (6.96)	5.34 (13.56)	4.77 (12.12)	14	29.70 (75.44)	29.13 (73.99)
3	4.34 (11.02)	3.77 (9.58)	7.37 (18.72)	6.80 (17.27)	15	31.73 (80.59)	31.16 (79.15)
4	5.37 (13.67)	4.80 (12.19)	9.40 (23.88)	8.83 (22.43)	16	33.76 (85.75)	33.19 (84.30)
5	6.40 (16.26)	5.83 (14.81)	11.43 (29.03)	10.86 (27.58)	17	35.79 (90.91)	35.22 (89.46)
6	7.43 (18.88)	6.86 (17.42)	13.46 (34.19)	12.89 (32.74)	18	37.82 (96.06)	37.25 (94.62)
7	8.46 (21.49)	7.89 (20.04)	15.49 (39.34)	14.92 (37.90)	19	39.85 (101.22)	39.28 (99.77)
8	9.49 (24.10)	8.92 (22.66)	17.52 (44.50)	16.95 (43.05)	20	41.88 (106.38)	41.31 (104.93)
9	10.52 (26.73)	9.95 (25.27)	19.55 (49.66)	18.98 (48.21)			
10	11.55 (29.34)	10.98 (27.89)	21.58 (54.81)	21.01 (53.37)			
11	12.58 (31.95)	12.01 (30.51)	23.61 (59.97)	23.04 (58.52)			
12	13.61 (34.57)	13.04 (33.12)	25.64 (65.13)	25.07 (63.68)			

SERIES LB-1500

.....

The Series LB-1500 Lamp Cabinet is factory assembled from high density aircraft-type lamp modules in any number of windows high or wide. The lamp assembly features front access relamping and solid color or sandwich lenses. Solder-type terminals allow external connection or factory wiring to multipin connectors that interface via multiconductor cables to the lamp driver logic. Lamp voltages of 6, 24, and 28 volts are standard. LED type displays are available for 24 Vdc.



Now Available in LED Version.

SPECIFICATIONS

Standard Voltages: 6, 24 or 28 Vdc/Vac; LEDs 24 Vdc.

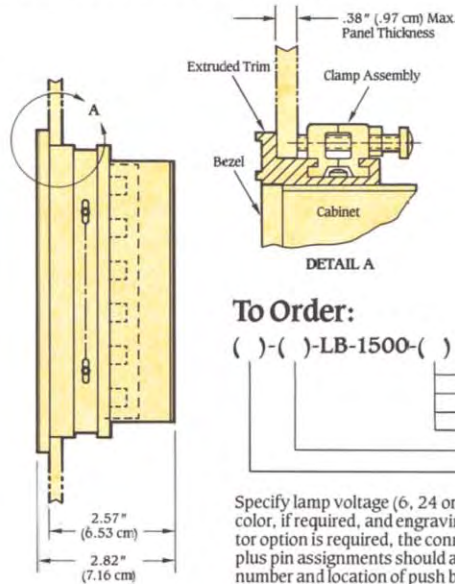
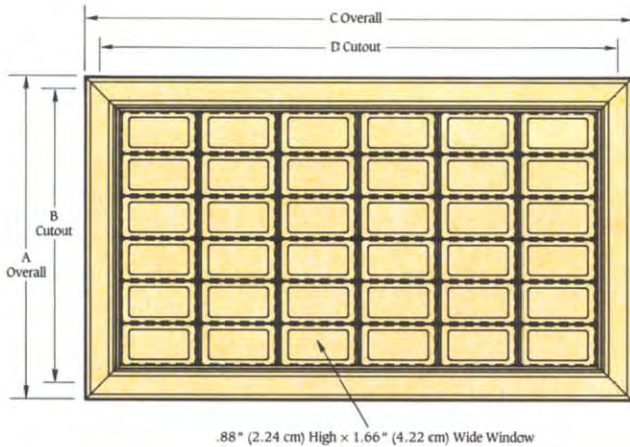
Cabinet Size: Any number of windows high and wide. (May exceed the numbers shown in the table below.)

Lamp Wattage: Two 1-Watt lamps per window; 83 mA at 24 Vdc.

LED Wattage: 400 mW power dissipation; 17 mA at 24 Vdc.

Lenses: Sandwich type lenses available.

Push-button Modules: Integral push-button modules offered as an option.



To Order:

()-()-LB-1500-()

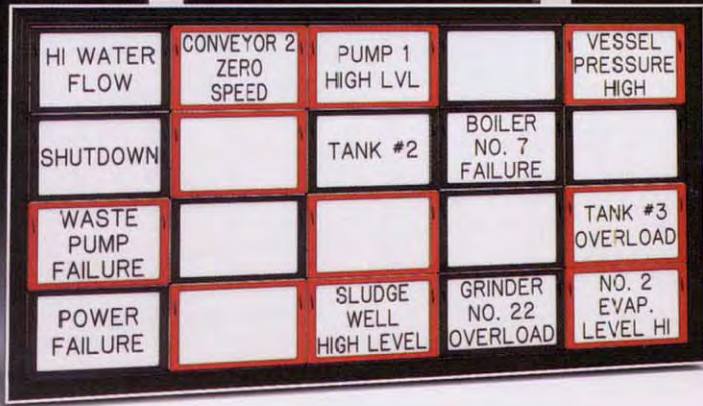
- 6=6 Vdc/Vac
- 24=24 Vdc/Vac
- 28=28 Vdc/Vac
- LED=LEDs-24 Vdc
- Windows Wide
- Windows High

Specify lamp voltage (6, 24 or 28 Vac or Vdc), sandwich lens color, if required, and engraving details. If multipin connector option is required, the connector type and model number plus pin assignments should accompany order. Specify number and location of push buttons required.

No. of Windows	Windows High		Windows Wide		No. of Windows	Windows High		Windows Wide	
	A—Overall inches (cm)	B—Cutout inches (cm)	C—Overall inches (cm)	D—Cutout inches (cm)		A—Overall inches (cm)	B—Cutout inches (cm)	C—Overall inches (cm)	D—Cutout inches (cm)
2	3.17 (8.05)	2.60 (6.60)	4.73 (12.01)	4.16 (10.57)	10	10.23 (25.98)	9.66 (24.54)	18.02 (45.77)	17.45 (44.32)
3	4.05 (10.29)	3.49 (8.86)	6.39 (16.23)	5.84 (14.83)	11	11.11 (28.22)	10.54 (26.77)	19.68 (49.99)	19.11 (48.54)
4	4.93 (12.52)	4.37 (11.10)	8.05 (20.45)	7.48 (19.00)	12	11.99 (30.45)	11.42 (29.01)	21.34 (54.20)	20.77 (52.76)
5	5.82 (14.78)	5.25 (13.34)	9.71 (24.66)	9.16 (23.27)	13	12.87 (32.69)	12.30 (31.24)	23.00 (58.42)	22.43 (56.97)
6	6.68 (16.97)	6.13 (15.57)	11.37 (28.88)	10.81 (27.46)	14	13.75 (34.93)	13.19 (33.50)	24.66 (62.64)	24.09 (61.19)
7	7.58 (19.25)	7.01 (17.81)	13.02 (33.07)	12.47 (31.67)	15	14.64 (37.19)	14.07 (35.74)	26.32 (66.85)	25.76 (65.43)
8	8.46 (21.49)	7.89 (20.04)	14.69 (37.31)	14.13 (35.89)	16	15.52 (39.42)	14.95 (37.97)	27.98 (71.07)	27.42 (69.65)
9	9.34 (23.72)	8.78 (22.30)	16.35 (41.53)	15.79 (40.11)					

SERIES LB - 3500

.....



The Series LB-3500 Lamp Cabinets feature a 3 inch by 5 inch window size design to backboard applications where the operator is a considerable distance from the display. The lamp cabinets are factory assembled in any number of windows high or wide. Each window provides screw terminals for external connection or factory wiring to multipin connectors to interface via multiconductor cables to the lamp driver logic. The bezel and nameplate assembly is locked into the lamp module by spring loaded release for relamping from the front. The anodized aluminum bezel is available in black or a variety of colors, holding nameplates which allow up to three lines of 3/4 inch high engraved legends. Standard voltages are 24 Vdc/Vac, 48 Vdc/Vac, 125 Vdc or 115 Vac.

SPECIFICATIONS

Standard Voltages: 24 Vdc/Vac, 48 Vdc/Vac, 125 Vdc, 115 Vac.

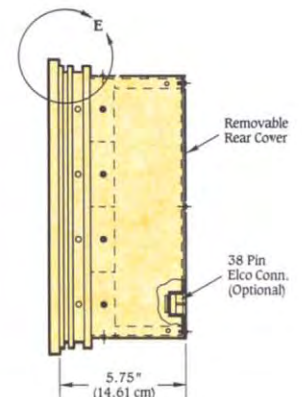
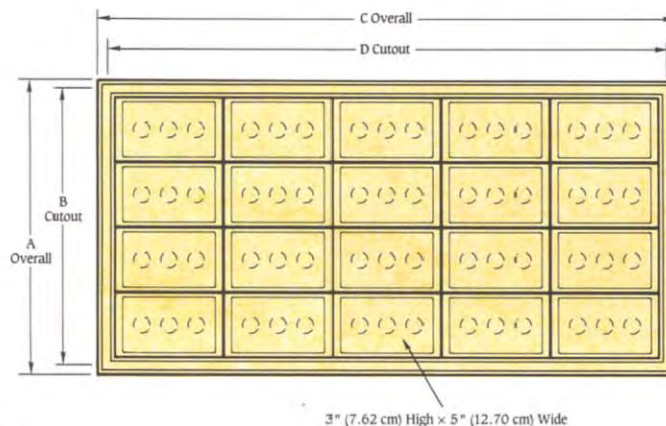
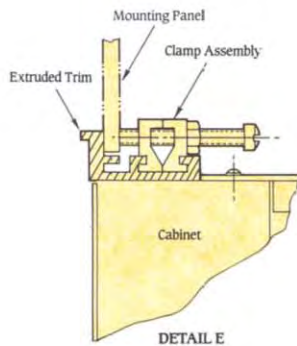
Cabinet Size: Any number of windows high and wide. (May exceed the numbers shown in the table below.)

Lamp Wattage: Three 2-Watt lamps per window.

Bezel Colors: Black, Red, Blue, Green, White.

Lenses: Sandwich type lenses available.

Push-button Modules: Integral push-button modules offered as an option.



To Order:

()-()-LB-3500-()

- 24=24Vdc/Vac
- 48=48Vdc/Vac
- 115=115Vac
- 125=125Vdc
- Windows Wide
- Windows High

Specify bezel colors, sandwich lenses and rear mounted connectors. Specify number and location of push buttons required.

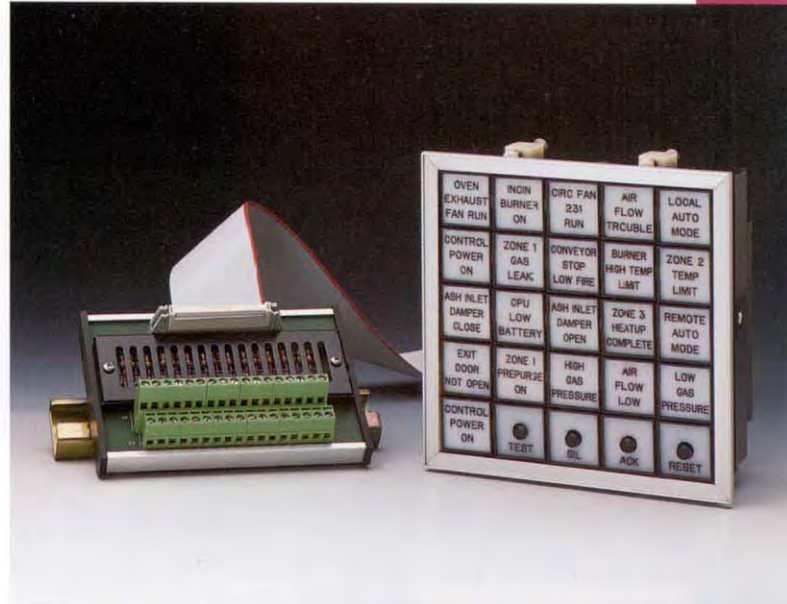
No. of Windows	Windows High		Windows Wide		No. of Windows	Windows High		Windows Wide	
	A—Overall inches (cm)	B—Cutout inches (cm)	C—Overall inches (cm)	D—Cutout inches (cm)		A—Overall inches (cm)	B—Cutout inches (cm)	C—Overall inches (cm)	D—Cutout inches (cm)
1	4.50 (11.43)	3.87 (9.83)	6.50 (16.51)	5.87 (14.91)	5	16.50 (41.91)	15.87 (40.31)	26.50 (67.31)	25.87 (65.71)
2	7.50 (19.05)	6.87 (17.45)	11.50 (29.21)	10.87 (27.61)	6	19.50 (49.53)	18.87 (47.93)	31.50 (80.01)	30.87 (78.41)
3	10.50 (26.67)	9.87 (25.07)	16.50 (41.91)	15.87 (40.31)	7	22.50 (57.15)	21.87 (55.55)	36.50 (92.71)	35.87 (91.11)
4	13.50 (34.29)	12.87 (32.69)	21.50 (54.61)	20.87 (53.01)	8	25.50 (64.77)	24.87 (63.17)	41.50 (105.41)	40.87 (103.81)

SERIES LB-5500

.....

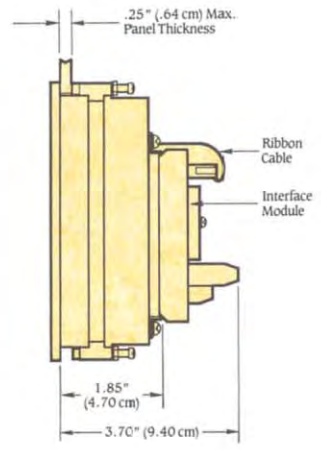
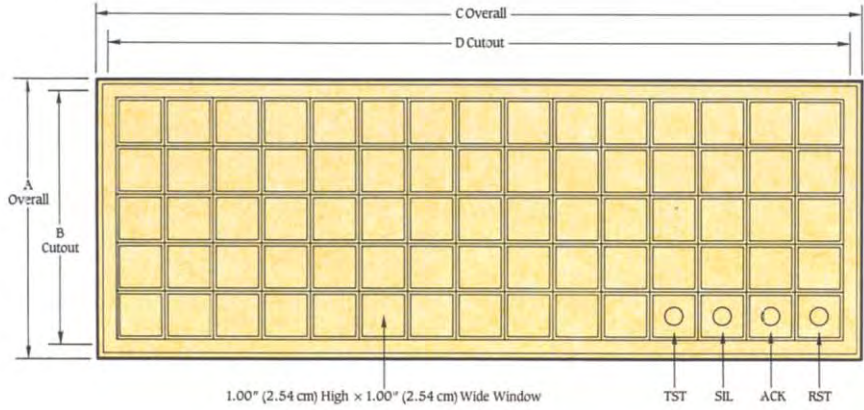
NEW

The Series LB-5500 compact high density LED Window Display Cabinet is factory assembled from cabinet modules which are 5 windows high by 5 windows wide (25 windows per module). Each window measures 1 inch square and may be custom engraved. The LED window indicators are available in red, orange, chartreuse or green. The cabinet modules are provided with rear mounted compression-type terminals or may be factory wired to multipin connectors. For extreme reduced depth applications, the rear interface module may be mounted remotely and connected to the cabinet via extended length ribbon cables (optional).



SPECIFICATIONS

Standard Voltages: LEDs 24 Vdc.
Current Requirement per Window: 22 mA @ 24 Vdc.
Cabinet Size: Any number of modules high and wide. Special cabinet sizes are also available. Consult factory.
Push-button Modules: Integral push-button modules offered as an option.



No. of Units	Units High		Units Wide	
	A—Overall inches (cm)	B—Cutout inches (cm)	C—Overall inches (cm)	D—Cutout inches (cm)
5	5.66 (14.38)	5.31 (14.49)	5.66 (14.38)	5.31 (14.49)
10	10.66 (27.08)	10.31 (26.19)	10.66 (27.08)	10.31 (26.19)
15			15.66 (39.78)	15.31 (38.89)
20			20.66 (52.48)	20.31 (51.59)

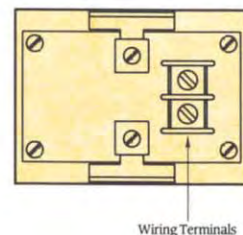
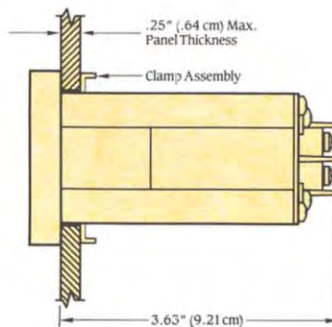
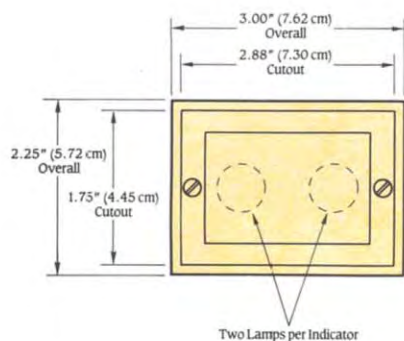
To Order:
 ()-()-LB-5500 LED Display Cabinet
 └── Windows Wide
 └── Windows High
 Specify number and location of push buttons required.

INDICATORS



The Model X45-100 Indicator has an engravable nameplate size of 1.43 inches \times 2.12 inches. Nameplates are available in amber, blue, green, red and white. The 115 Vac system is illuminated by two 3-Watt lamps. Other voltages are also available with the use of standard S6 lamps.

The Model R100 Pilot Lamp Indicator provides an excellent power-on indication or alarm status. The standard voltage is 115 Vac or 125 Vdc. Other voltages are also available with the use of standard S6 lamps. The R100 is available with red, green, blue, amber or white lenses and is supplied with gaskets to meet NEMA 12 standards on panel face.



Models LB1, LB2, LB3 and LB4 are single cabinet module indicators based on the popular LB series.

NAMEPLATE SIZE

LB1—2.75" (6.99 cm) high \times 3.00" (7.60 cm) wide.

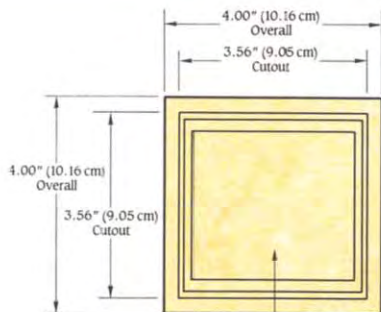
Two 6-Watt lamps per window.

LB2—1.4" (3.56 cm) high \times 3.00" (7.62 cm) wide. Two 3-Watt lamps per window.

LB3—.86" (2.18 cm) high \times 3.00" (7.62 cm) wide. Two 3-Watt lamps per window.

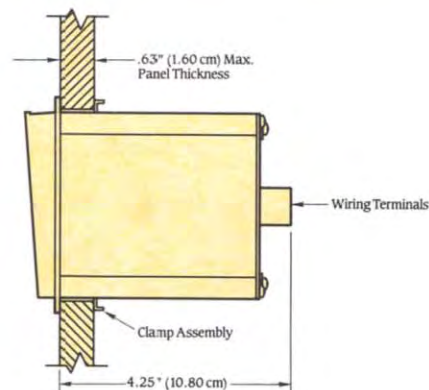
LB4—1.4" (3.56 cm) high \times 1.4" (3.56 cm) wide. One 3-Watt lamp per window.

Note: 24, 48 and 120 Vac or Vdc lamps available.



Model LB1

2.75" (6.99 cm) High \times 3.00" (7.62 cm) Wide Window



INDICATORS

The Models X18-100 and X18-200 Compact Indicators are full voltage and have dual lamp indicators. There is no need for resistors or transformers on 115 Vac service. Both models are suitable for mounting in groups either vertically or horizontally. The X18-200 utilizes two individually wired lenses in one unit. Lenses on both models are available in a choice of 5 colors. Lens surfaces may be engraved. Wire terminals are combination screw type/solderless tabs.

SPECIFICATIONS

Panel Cutout: Single Mounting— $.91''$ (2.31 cm) High \times $1.84''$ (4.69 cm) Wide. Multiple Mounting—Horizontally, add $2.02''$ (5.12 cm) per additional unit. Vertically, add $1.02''$ (2.58 cm) per additional unit.

Nameplate Size: Model X18-100— $.75''$ (1.90 cm) High \times $1.56''$ (3.82 cm) Wide. Model X18-200— $.75''$ (1.90 cm) High \times $.75''$ (1.90 cm) Wide.

Standard Voltages: 6, 12, 24, 28, 48, 60, 20.

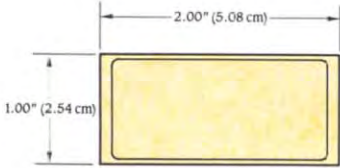
Lens Colors: Amber, Blue, Green, Red, White.



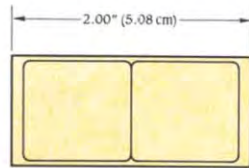
Horizontal Arrangement



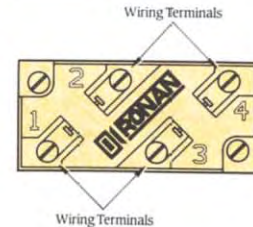
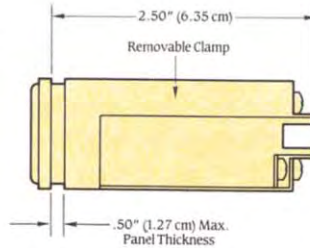
Vertical Arrangement



Model X18-100



Model X18-200



The Model X18-300 is a full voltage, single lamp indicator which needs no resistors or transformers on 115 Vac service. It is suitable for mounting in groups either vertically or horizontally. The lenses may be engraved. Wire terminals are combination screw type/solderless tabs.

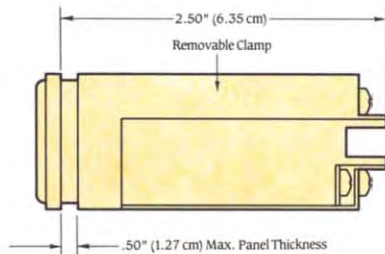
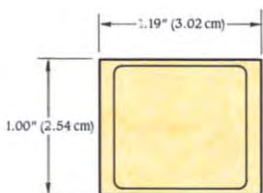
SPECIFICATIONS

Panel Cutout: Single Mounting— $.91''$ (2.31 cm) High \times $.98''$ (2.48 cm) Wide. Multiple Mounting—Horizontally, add $1.19''$ (3.02 cm) per additional unit. Vertically, add $1.02''$ (2.58 cm) per additional unit.

Nameplate Size: $.75''$ (1.90 cm) High \times $.75''$ (1.90 cm) Wide.

Standard Voltages: 6, 12, 24, 28, 48, 60, 120.

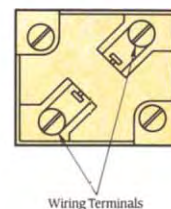
Lens Colors: Amber, Blue, Green, Red, White.



Horizontal Arrangement



Vertical Arrangement



INDICATORS



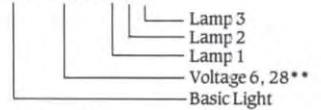
The Model XID3 Tri-Color Indicator Lights combine craftsmanship with convenience to be quickly and easily applied to your specific needs: production testing, process instrumentation, control panels, alarm indicators, graphic displays, etc.

They are small in size, measuring 2-7/16 inches long and 1 inch in diameter. The lens is engravable acrylic with excellent side vision up to 180°. Lamps are available in a choice of three of the five standard colors (for each lamp). The indicators are completely enclosed (dustproof), keyed for proper orientation and may be mounted on 1-1/8 inch centers. The terminals accept soldered, taper pin or screw connections. The XID3 carries CSA approval.

No tools are required for the easy front-of-panel replacement of lamps. Each lamp may be wired individually, thus eliminating the use of common connections.

To Order (Example)*

XID3-28A-RGA

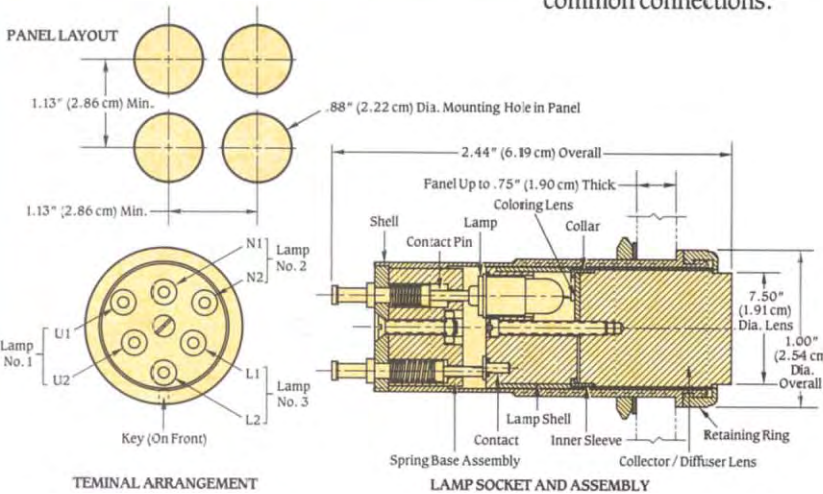


*This would be a light containing three 28 V lamps plus a red lens, green lens and an amber lens.

**No. 328-1000 hr., 6-6 V, 200 mA
No. 327-4000 hr., 28A-28 V, 40 mA
No. 387-7000 hr., 28B-28 V, 40 mA

Lens Colors

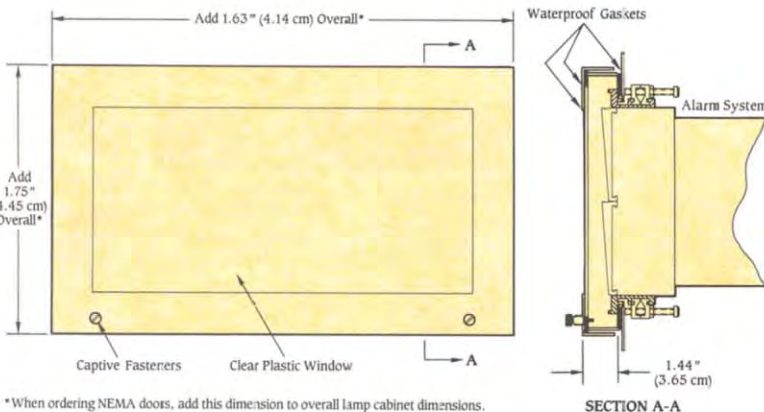
- R (Red)
- B (Blue)
- G (Green)
- W (White)
- A (Amber)



NEMA 12 & 4 DOORS

NEMA 12 and 4 Doors, built especially for Series LB and Series LC Lamp Cabinets, are used to completely seal the fronts of cabinets against moisture or corrosive atmosphere.

Each door assembly houses a clear acrylic window which is sealed with neoprene gaskets. Extra gasketing is supplied for sealing between the door frame and the control panel.



*When ordering NEMA doors, add this dimension to overall lamp cabinet dimensions.

To Order:

23X3-1022-NEMA 12 or 4 Door

- └─ Windows Wide
- └─ Windows High

NEMA Doors are suitable for the following:

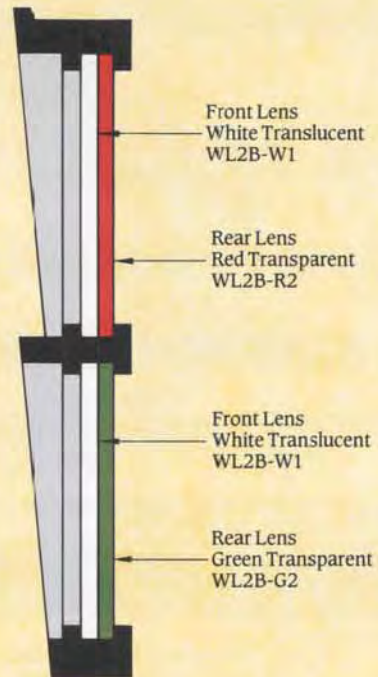
LB-1000 and LC-1000—2 Windows High x 3 Windows Wide
LB-2000 and LC-2000—4 Windows High x 3 Windows Wide
LB-3000 and LC-3000—6 Windows High x 3 Windows Wide
LB-4000 and LC-4000—4 Windows High x 6 Windows Wide
Specify NEMA 12 or NEMA 4. NEMA doors are available on request for LB-1500, LB-2200, LB-2448 and LB-3500. The hinge on a standard door is provided on the longest side. Contact factory for special requirements.

NAMEPLATE ENGRAVING DETAILS

.....

A complete line of sandwich-type lenses is available on most lamp cabinets.* With these lenses, the need for color caps and their effect of reducing lamp life are eliminated. Sandwich lenses provide an even distribution of color behind the front lens. These type lenses are recommended when a color display behind the white lens is required to indicate alarm functions such as high or low, or to distinguish between alarm and shutdown functions. The Standard sandwich lens is available with white front lens and black engraved letters. Consult factory for special applications.

*Not available on LB-2100 and LB2200 cabinets.



Model X45-100



Model X18-300



Model X18-200



Model X18-100



Model X1D3



NAMEPLATE ENGRAVING DETAILS

.....



Lamp Cabinet LB-1000, LC-1000
Lens WL1; Bezel WB1-()*



Lamp Cabinet LB-2000, LC-2000
Lens WL2; Bezel WB2-()*



Lamp Cabinet LB-3000; LC-3000
Lens WL3; Bezel WB3-()*



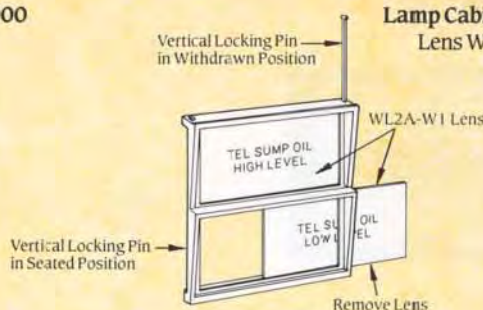
Lamp Cabinet LB-4000, LC-4000
Lens WL4; Bezel WB4-()*

* BEZEL COLORS

- Black (0) ■ Yellow (4) ■ Grey (8)
- Brown (1) ■ Green (5) ■ White (9)
- Red (2) ■ Blue (6)

TO ORDER: (Example)

WB2-(0) = Black Bezel for LB-2000
WB1-(2) = Red Bezel for LC-1000



NAMEPLATE INSTALLATION

The window lenses are inserted into channeled grooves and retained with vertical locking pins as shown. This design permits the relocation of individual legends without re-engraving nameplates.

NAMEPLATE ENGRAVING DETAILS

.....



Lamp Cabinet LB-1500
Lens WL15-()*()**; Bezel WB15-(Black Only)



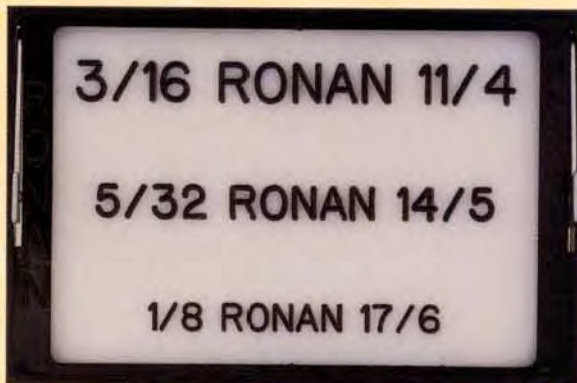
Lamp Cabinet LB-2448
Lens WL24-()*()**; Bezel WB24-()***



Lamp Cabinet LB-2100
Lens WL21-()*()**; Bezel WB21-()***



Lamp Cabinet LB-5500
Lens WL55-1/16-()**; Bezel WB55-(Black Only)



Lamp Cabinet LB-2200
Lens WL22-()*()**; Bezel WB22-()***



Lamp Cabinet LB-3500
Lens WL35-()*()**; Bezel WB35-()***
Bezel is Anodized Aluminum.
Colors available are: Black, White, Red, Blue, Green

* NAMEPLATE SIZE

- 1/8" Thick (A)
- 1/16" Thick (B)

** LENS COLORS

- Red (2) Blue (6)
- Yellow (4) White (9)
- Green (5) Amber (10)

*** BEZEL COLORS

- Black (0) Green (5)
- Brown (1) Blue (6)
- Red (2) Grey (8)
- Yellow (4) White (9)

LAMP STYLES/RATINGS

Display Types LB-1000, LB-2000, LB-3000, LB-4000,
LC-1000, LC-2000, LC-3000, LC-4000, LB1, LB2, LB3,
LB4, LB2100, LB-2200, LB-2448 and LB-3500:

24 Vac or Vdc, Lamp No. 1829, Bayonet Base, 2 W.
24 Vac or Vdc, Lamp No. 1224K, Bayonet Base, 3 W.
48 Vac or Vdc, Lamp No. 1835, Bayonet Base, 2 W.
120 Vac, Lamp No. 6S6SC/120, Screw Base, 6 W.
125 Vdc, Lamp No. 6S6SC/145, Screw Base, 6 W.

Display Types X45 and R100:

120 Vdc, Lamp No. 3S6SC/120, Screw Base, 3 W.
125 Vdc, Lamp No. 3S6SC/130, Screw Base, 3 W.

Display Type X18:

6 Vac or Vdc, Lamp No. 6 MB, Bayonet Base, 1 W.
12 Vac or Vdc, Lamp No. 12 MB, Bayonet Base, 2 W.
24 Vac or Vdc, Lamp No. 28 MB, Bayonet Base, 1.5 W.
48 Vac or Vdc, Lamp No. 48 MB, Bayonet Base, 2.5 W.
60 Vac or Vdc, Lamp No. 60 MB, Bayonet Base, 3 W.
120 Vac or Vdc, Lamp No. 120 MB, Bayonet Base, 3 W.

Display Types X1D3 and LB-1500

28 Vac or Vdc, Lamp No. 327, Miniature Base, 1 W.
28 Vac or Vdc, Lamp No. 387, Miniature Base, 1 W.
6 Vac or Vdc, Lamp No. 328, Miniature Base, 1.5 W.

.....

WARRANTY

Ronan warrants equipment of its own manufacture to be free from defects in material and workmanship, under normal conditions of use and service, and will replace any component found to be defective, on its return, transportation charges prepaid, within one year of its original purchase. This warranty carries no liability, either expressed or implied, beyond our obligations to replace the unit which carries the warranty.

.....



**RONAN ENGINEERING
COMPANY**
21200 Oxnard Street
Woodland Hills
California 91367 U.S.A.
(800) 327-6626
FAX (818) 992-6435
E-Mail: info@ronan.com
Web Site: <http://www.ronan.com>

**RONAN ENGINEERING
LIMITED U.K.**
1 Tilley Road
Crowther Industrial Estate
Washington, Tyne and Wear
United Kingdom, NE38-OEA
(191) 416-1689
FAX (191) 416-5856

**RONAN ENGINEERING
LIMITED**
32 Bermondsey Road
Toronto, Ontario
Canada M4B1Z5
(416) 752-0310
FAX (416) 752-8072

**RONAN ENGINEERING
PTY. LTD.**
Unit 10, 8 Leighton Place
Hornsby, N.S.W. 2077
Australia
(02) 9477-7344
FAX (02) 9477-6151